

Round External Doors - Other

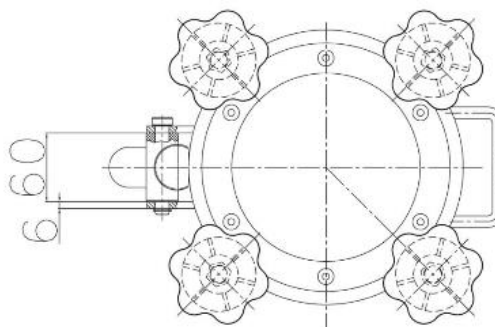
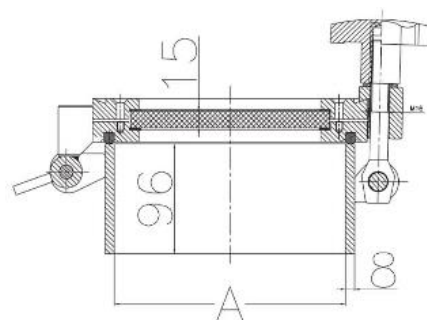
D26 -200/ 250

Stainless Steel AISI 304

Standard hand wheel – Nylon handwheel

Standard gasket – Silicone

Standard glass: Sodalime tempered glass for us up to 150°C



	200	250
A	202	205
Weight (Kg)	15.3	17.9

This Data Sheet refers to the material as supplied. The information contained herein is given in good faith, but no liability will be accepted by the Company in relation to same. We reserve the right to change the details given on this Data Sheet as additional information is acquired. Customers requiring the latest version of this Data Sheet should contact our sales department.

Unit N2, Gildersome Spur, Gildersome, Leeds, LS27 7JZ | Tel: 0113 252 6712 | Email: info@manways.co.uk | www.manways.co.uk